

*Just
Pena Field*

NSHU TRANSPORTATION

3778

Date: 1-12-26
Time: _____

LINE# _____

EQUIPMENT INTERCHANGE AGREEMENT, INSPECTION REPORT, AND LEASE SUPPLEMENT BETWEEN THE UNDERSIGNED AND MARVA INTERMODAL LOGISTICS LLC ***** MARK ALL DAMAGES ON THE DIAGRAMS BELOW *****

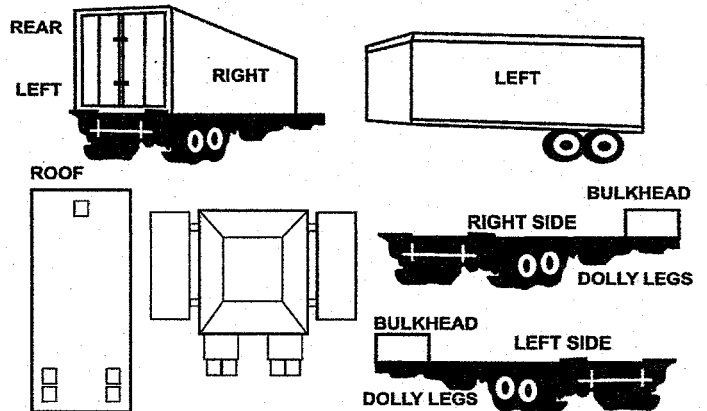
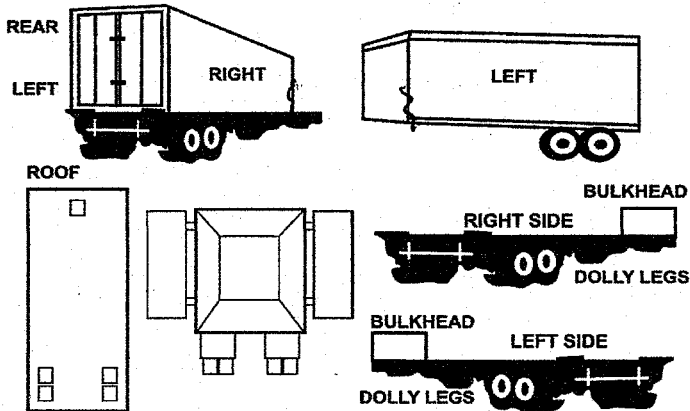
TRAILER#: MRVC 25167 VIN/SERIAL#: _____ PLATE#: 88 UX 1U STATE: MX
 TRACTOR#: 03 VIN/SERIAL#: _____ PLATE#: 1N 81820 STATE: TX
 TYPE OF EQUIPMENT: DRY VAN REEFER FLATBED RENTAL
 LOAD SECUREMENT: TARP(S) QTY: _____ STRAPS QTY: _____ WINCHES QTY: _____ E-BEAMS QTY: _____ LOADS LOCKS QTY: _____

USE THESE SYMBOLS FOR DAMAGE IDENTIFICATION

B = Bent or Broken C = Cut M = Missing
T = Torn H = Hole S = Storage

TRAILER REGISTRATION

IS THE REGISTRATION CARD ON TRAILER OUT?: Yes / No
INSPECTION FORM: Yes / No



TRACKING UNIT WORKING: Yes / No
 GPS BATTERY STATUS: GREEN / YELLOW / RED
 SEAL: Yes / No SEAL #: _____
 PICTURE: Yes / No PICTURE #: _____
 COMMENTS: _____

TRACKING UNIT WORKING: Yes / No
 GPS BATTERY STATUS: GREEN / YELLOW / RED
 SEAL: Yes / No SEAL #: _____
 PICTURE: Yes / No PICTURE #: _____
 COMMENTS: _____

POSITION / BRAND / TREAD DEPTH / PSI	POSITION / BRAND / TREAD DEPTH / PSI
LO FRONT _____ / _____ / _____ / _____	RO FRONT _____ / _____ / _____ / _____
LI FRONT _____ / _____ / _____ / _____	RI FRONT _____ / _____ / _____ / _____
LO REAR _____ / _____ / _____ / _____	RO REAR _____ / _____ / _____ / _____
LI REAR _____ / _____ / _____ / _____	RI REAR _____ / _____ / _____ / _____
TIRE SIZE: _____	
HUBODOMETER OUT / _____ / _____ MILES: _____	
BRAKES: FA _____ RA _____	

POSITION / BRAND / TREAD DEPTH / PSI	POSITION / BRAND / TREAD DEPTH / PSI
LO FRONT _____ / _____ / _____ / _____	RO FRONT _____ / _____ / _____ / _____
LI FRONT _____ / _____ / _____ / _____	RI FRONT _____ / _____ / _____ / _____
LO REAR _____ / _____ / _____ / _____	RO REAR _____ / _____ / _____ / _____
LI REAR _____ / _____ / _____ / _____	RI REAR _____ / _____ / _____ / _____
TIRE SIZE: _____	
HUBODOMETER OUT / _____ / _____ MILES: _____	
BRAKES: FA _____ RA _____	

DATE IN: 1-12-26 TIME: 5:50 AM PM

DATE RETURNED: _____ TIME: _____ AM PM

INSPECTOR: [Signature]
Equipment listed above accepted by Lessee, Vendor, carrier or their agent, in good repair and working condition, subject to any exception listed above, and all terms and conditions on the reverse side hereof, as applicable.

INSPECTOR: _____
Equipment listed above accepted by Lessee, Vendor, carrier or their agent, in good repair and working condition, subject to any exception listed above, and all terms and conditions on the reverse side hereof, as applicable.

Driver Signature: Jessica Bernal
Print Name: Jessica Driver For: NSHU
Operators Lic.#: 39397811 State: TX

Driver Signature: _____
Print Name: _____ Driver For: _____
Operators Lic.#: _____ State: _____